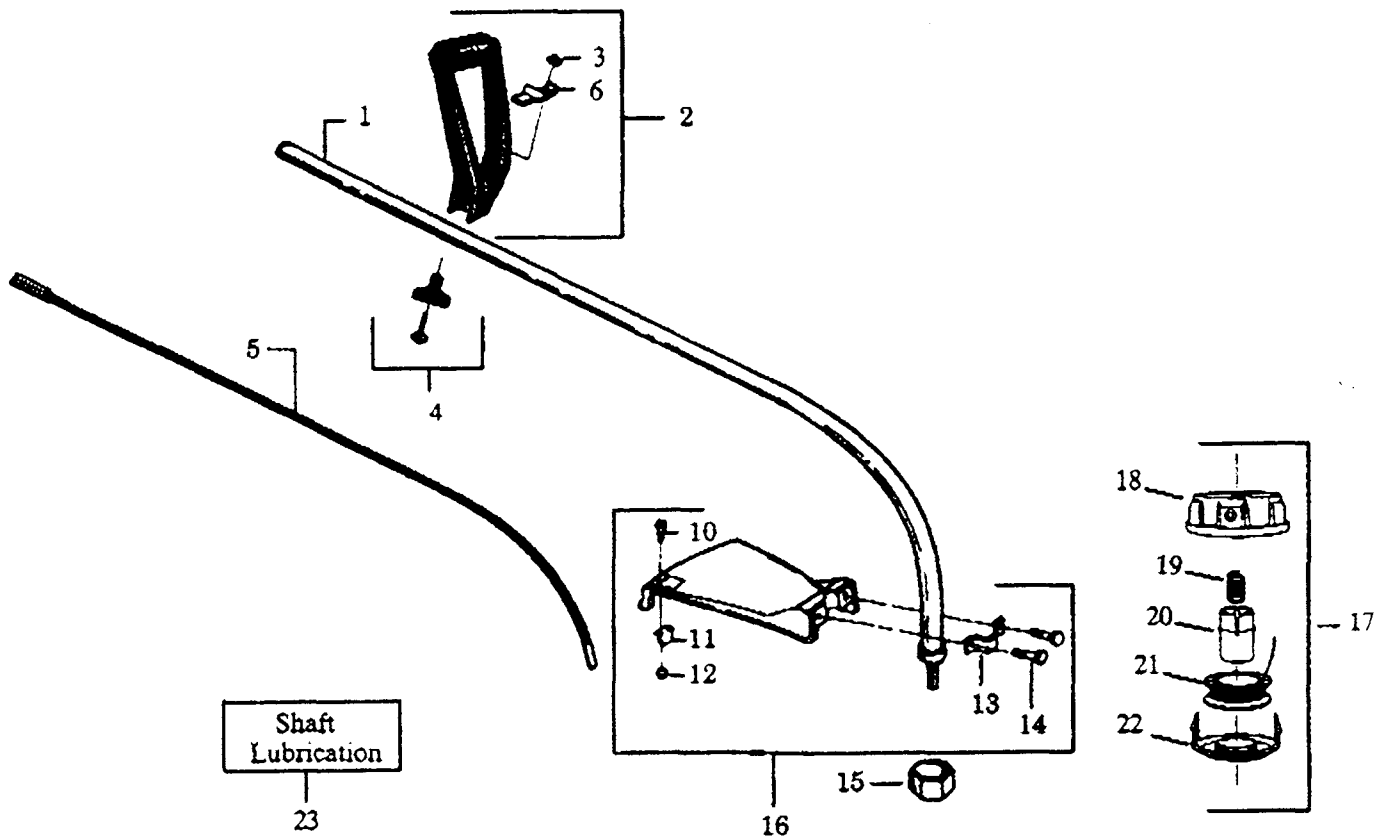




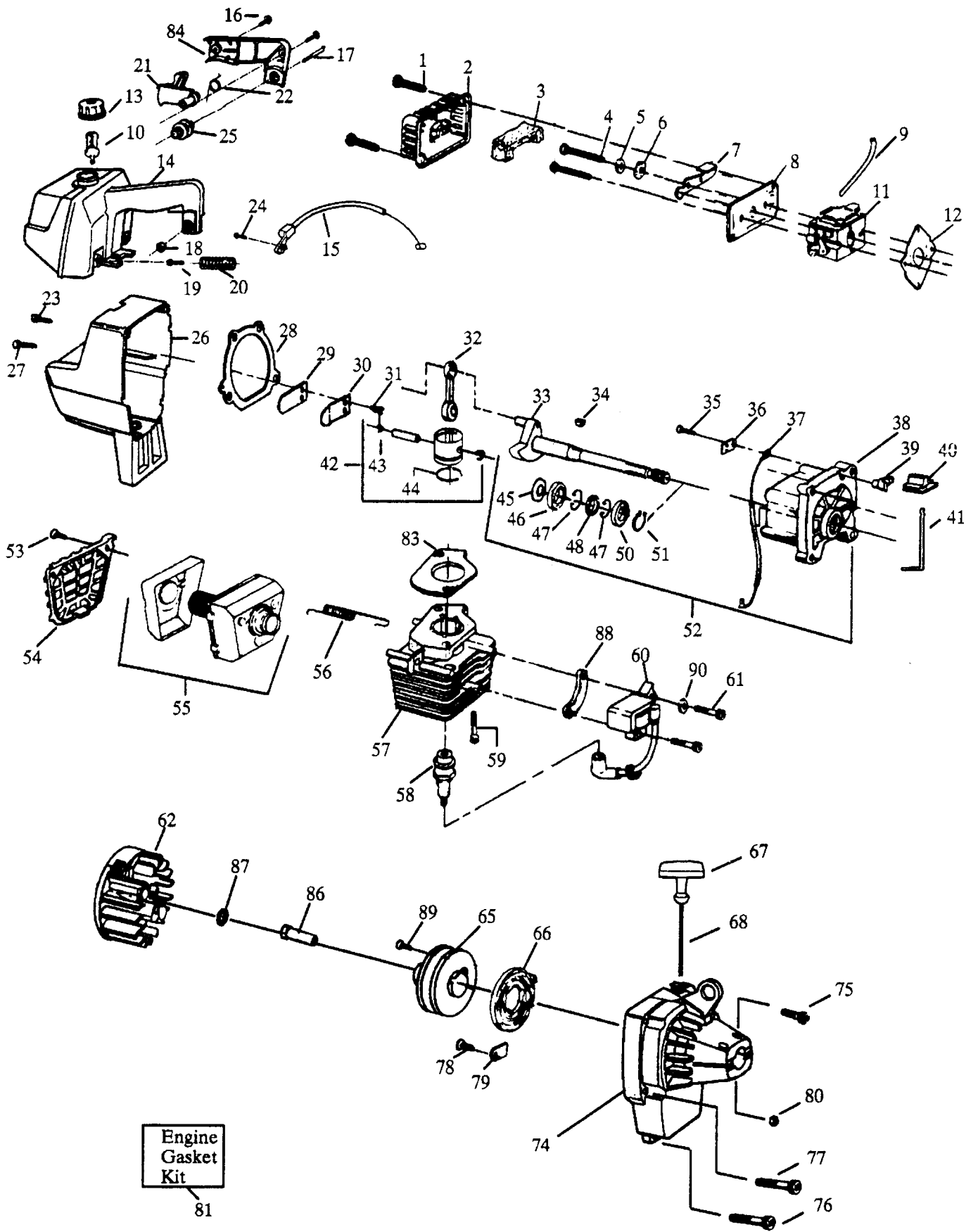
Prod. nr. 952 71 52-77

SPAREPARTS

107 26 18-62

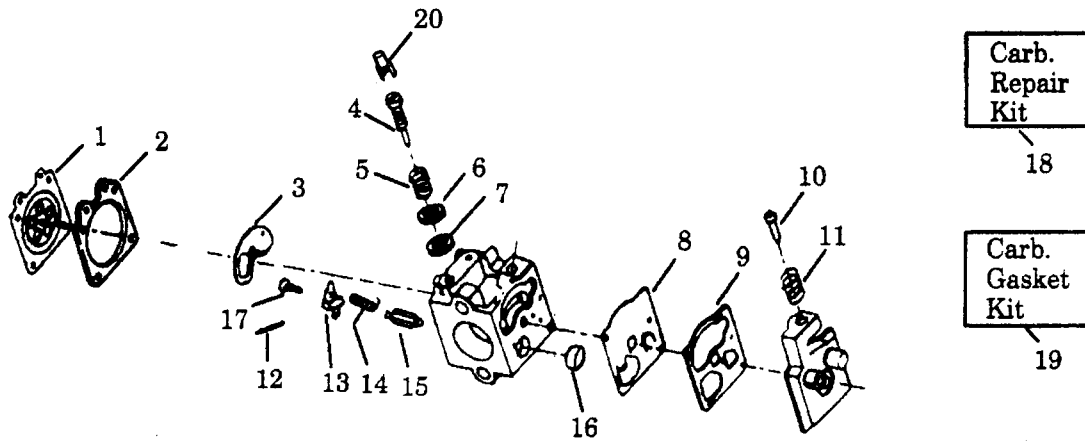


No.	Part no.	Description	No.	Part no.	Description
1	530 09 51-33	Drive Shaft Housing	14	530 09 22-43	Screw
2	530 06 94-96	Handle	15	530 09 45-43	Dust Cup
3	530 01 56-10	Nut	16	530 06 92-99	Shield Kit Ass'y. (Incl. 10-12 & 14)
4	530 06 92-52	"T" Handle	17	952 71 55-52	Cutting Head Ass'y.
5	530 09 46-79	Drive Shaft	18	530 09 48-75	Hub Ass'y.
6	530 09 47-42	Clamp	19	530 09 48-30	Spring
10	530 01 53-37	Screw	20	530 09 48-27	Release Button
11	530 09 45-70	Line Limiter	21	952 71 55-08	Spool w/Line
N 12	534 23 59-01	Nut	22	530 09 48-28	Cover
13	530 02 93-73	Bracket	23	530 03 01-02	Shaft Lubrication



No.	Part no	Description	No.	Part no.	Description
1	530 01 57-73	Screw	42	530 06 92-74	Piston Kit (Incl. 43, 44 & Pin)
2	530 02 75-29	Air Filter Cover	43	530 01 51-62	Piston Pin Retainer
3	530 02 75-30	Air Filter	44	530 02 64-13	Piston Ring
4	530 01 58-49	Screw	45	530 01 57-88	Spacer
5	530 01 58-52	Spacer	46	530 03 21-03	Inner Bearing
6	530 01 52-54	Wave Washer	47	530 01 57-87	Retaining Ring
7	530 02 75-26	Choke Shutter	48	530 01 91-58	Crankshaft Seal
8	530 02 75-27	Air Filter Plate	50	530 03 21-02	Outer Bearing
9	530 06 92-47	Fuel Line Kit	51	530 01 57-89	Retaining Ring
10	530 01 43-62	Fuel Pick-up Ass'y.	52	530 01 40-04	Crankcase & Crankshaft Ass'y. (Incl. 33, 38, 45 & 51)
N 11	530 03 53-40	Carburetor (WA-217)	53	530 01 57-17	Screw
12	530 01 91-56	+ Carburetor Gasket	54	530 02 77-81	Muffler Guard
13	530 01 43-47	Fuel Cap Ass'y.	55	530 06 92-57	Muffler Kit
14	530 02 95-52	Handle & Tank Ass'y.	56	530 03 64-09	Muffler Spring
N 15	530 03 74-99	Throttle Cable Ass'y.	57	530 01 22-44	Cylinder
16	530 01 58-05	Screw	58	530 03 00-58	Spark Plug (RCJ-8)
17	530 01 58-09	Screw	59	530 01 52-39	Screw
18	530 01 58-07	Nut	60	530 03 91-34	Ignition Module Kit
19	530 01 57-13	Screw	61	530 01 57-76	Screw
20	530 02 79-26	Rear Isolator Spring	62	530 03 91-11	Flywheel Ass'y.
21	530 02 79-24	Throttle Trigger	65	530 06 92-91	Starter Pulley
22	530 02 79-25	Throttle Spring	66	530 02 93-95	Starter Spring
23	530 01 58-10	Screw	67	530 02 75-69	Starter Handle
24	530 01 57-75	Screw	68	530 06 92-32	Rope Kit
25	530 02 42-56	Isolator	74	530 01 41-81	Fan Housing
26	530 02 93-77	Shroud	75	530 01 57-67	Screw
27	530 01 57-71	Screw	76	530 01 57-70	Screw
28	530 01 91-54	+ Gasket	77	530 01 57-69	Screw
29	530 02 75-93	Reed	78	530 01 54-96	Screw
30	530 02 75-94	Reed Stop	79	530 02 75-23	Pulley Retainer
31	530 01 52-41	Screw	80	530 01 57-68	Locknut
32	530 01 40-05	Connecting Rod Ass'y.	81	530 06 92-76	Engine Gasket Kit (+ Indicates Contents)
33	530 01 09-45	Crankshaft Ass'y.	83	530 01 91-78	+ Cylinder Gasket
34	530 01 51-26	Flywheel Key	84	530 02 79-17	Handle Cover
35	530 01 57-80	Screw	86	530 02 79-53	Drive Coupling
36	530 02 75-46	Switch Insulator	87	530 01 58-28	Washer
37	530 02 75-47	Lead Wire	88	530 02 75-25	Spacer
38	530 01 40-16	Crankcase Ass'y. (Incl. 46, 47, 48 & 50)	89	530 01 58-23	Screw (Incl. in Starter Pulley Kit)
39	530 02 75-45	Switch Ramp	90	530 01 58-11	Washer
40	530 02 79-58	Switch Button			
41	530 02 79-59	Switch Spring			

N = NEW PART



No.	Part no	Description	No.	Part no.	Description
	1	504 13 08-08 * + Metering Diaphragm		12	505 52 01-25 * Metering Lever Pin
	2	530 03 51-51 * + Metering Diaphragm Gasket		13	502 52 01-27 * Metering Lever
	3	530 03 52-11 * + Circuit Plate Gasket		14	530 03 51-88 * Metering Lever Spring
N	4	503 56 24-01 * Mixture Needle		15	503 11 70-01 * Inlet Needle Valve
N	5	501 66 78-01 Mixture Needle Spring		16	530 03 51-78 * Fuel Inlet Screen
	6	530 03 52-17 Mixture Needle Washer		17	530 03 50-16 * Metering Lever Pin Screw
	7	530 03 52-18 * + "O" Ring Mixture		18	505 52 01-30 Carb. Kwik Repair Kit (* Indicates Contents)
	8	504 13 08-07 * + Fuel Pump Diaphragm		19	530 03 52-19 Carb. Gasket/Diaphragm Kit (+ Indicates Contents)
	9	504 13 09-06 Fuel Pump Gasket		N 20	530 06 95-60 Limiter Cap
	10	530 03 52-03 Idle Speed Screw			
	11	501 66 78-01 Idle Speed Spring			

N = NEW PART